

The IsoBox™



SOUND CONSTRUCTION & SUPPLY, INC.

IsoBox™ Studio

12RU to 20RU

IsoBox™ sound isolation racks were instrumental in pioneering the digital revolution by virtually silencing computer fan noise inherent with Digital Audio Workstations.

ISOBOX STUDIO KEY FEATURES

- Passive induction intake cooling
- Hepa-filter dust and static reduction
- Thermostatically active dual exhaust fans
- Up to -29dB equipment fan noise reduction
- Digital temperature reading
- Fahrenheit or Celsius display
- Audible alarm for excessive heat loads
- Front and rear door accessibility
- Two (2) three inch (3") rear wire grommets
- Optional left door swing or right door swing factory configurations
- Optional rear rack rails
- Optional laminate top
- Optional sliding computer tray

The IsoBox™ Studio models are supported by 4.5" casters for easy movability. Rack rail heights are available in 12RU, 16RU, and 20RU, rack unit spaces. The top, back and sides are coated with a scratch resistant black textured finish.

Thermostatically controlled dual exhaust fans regulate the interior temperature with a patented microprocessor. A parabolic diffuser provides full wide-band pressure absorption reducing equipment noise up to -29dB at one



SOUND CONSTRUCTION & SUPPLY, INC.

Sound Construction & Supply Inc
1328 Vashti Street
Nashville TN 37203
(888) 580-9188 Toll Free
(615) 226-5150 Local
www.soundconstructionsupply.com
[sales@ soundconstructionsupply.com](mailto:sales@soundconstructionsupply.com)

meter. See the "IsoBox Noise Reduction Specifications" for complete details. An audible and visual alarm warns when heat loads are excessive. A removable electrostatic intake Hepa-filter reduces particles and static electricity inside the cabinet while an echo eliminator and all natural cotton sound padding reduces interior noise.

OPTIONS

The IsoBox is available with full length rack rails or an optional Sliding Computer Tray can be added, which is compatible with Apple Mac Pro and desktop PC computer towers less than 22.5" W x 12.25" H. Sliding Computer Tray substitutes seven (7RU) spaces. The door swing is available with Left Door Swing and Right Door Swing factory configurations. An optional matching wood trim top with laminate desktop is also available.

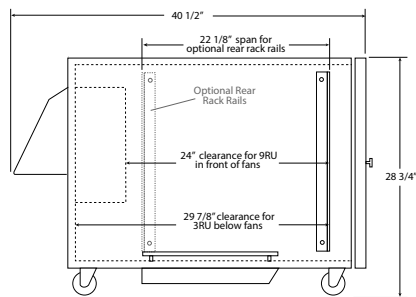


Left Door Swing & Full Length Rails

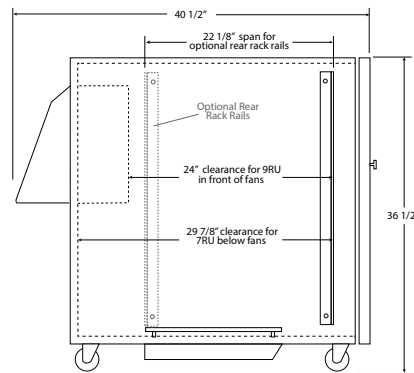
Right Door Swing & Sliding Computer Tray

Laminate Top

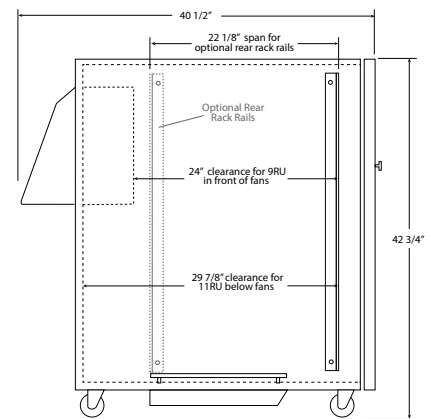
ISOBOX STUDIO INTERIOR EQUIPMENT CLEARANCES



IsoBox Studio 12RU



IsoBox Studio 16RU



IsoBox Studio 20RU



SOUND CONSTRUCTION & SUPPLY, INC.

Sound Construction & Supply Inc
 1328 Vashti Street
 Nashville TN 37203
 (888) 580-9188 Toll Free
 (615) 226-5150 Local
www.soundconstructionsupply.com
sales@soundconstructionsupply.com

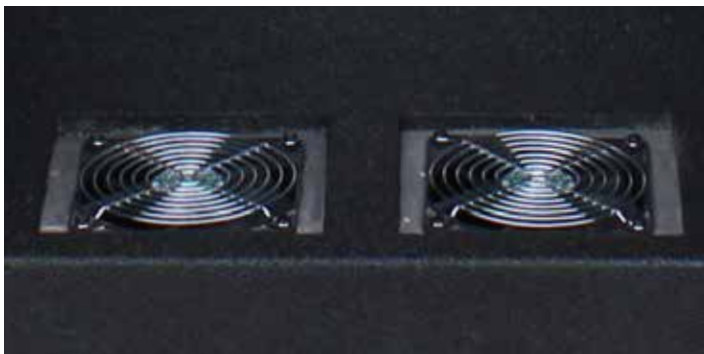
IsoBox™ Post

14RU to 24RU

IsoBox Post are available in 38 inch and 45 inch standard cabinet depths. They are supported by 4.5 inch casters for easy movability. Shock mount rack rails help prevent vibrations to sensitive computer equipment. Rear rack rails to help support heavy equipment are standard at 24 inch (24") depth. Rack rail are available as 14RU, 18RU and 24RU rack unit spaces. The door swing is available with Left Door Swing and Right Door Swing factory configurations. The Rack Top has matching wood trim and Graphite Nebula Laminate which provides a smooth writing surface and protects the the wood finish. The racks back and sides are coated with a scratch resistant black textured finish.

ISOBOX POST KEY FEATURES

- Thermostatically active intake cooling
- Hepa-filter dust and static reduction
- Thermostatically active dual exhaust fans
- Up to -29dB equipment fan noise reduction
- Digital temperature reading
- Fereinheit or celcius display
- Audible alarm for exsessive heat loads
- Front and rear door accessibility
- Two (2) three inch (3") rear wire grommets
- Optional left door swing or right door swing factory configurations
- Standard rear rack rails
- Standard laminate top
- Optional sliding computer tray



Thermostatically controlled quad fans regulate the interior temperature with a patented microprocessor. Two front fans provide active air intake to draw cool air across the equipment face. Two exhaust fans with a parabolic diffuser provides full wide-band pressure absorption reducing equipment noise up to -29dB at one meter. See the "IsoBox Noise Reduction Specifications" for complete details. An audible and visual alarm

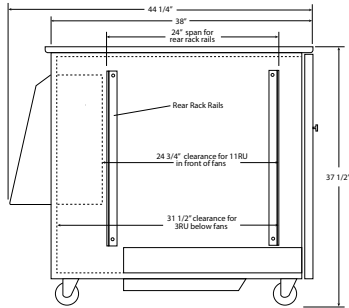


SOUND CONSTRUCTION & SUPPLY, INC.

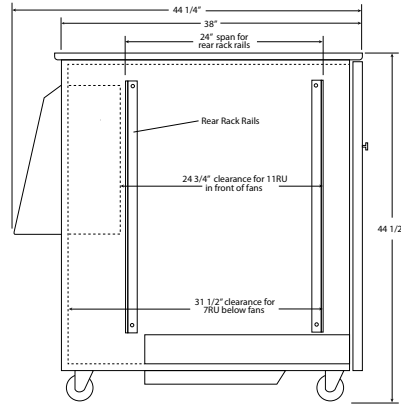
Sound Construction & Supply Inc
1328 Vashti Street
Nashville TN 37203
(888) 580-9188 Toll Free
(615) 226-5150 Local
www.soundconstructionsupply.com
[sales@ soundconstructionsupply.com](mailto:sales@soundconstructionsupply.com)

warns when heat loads are excessive. A removable electrostatic intake Hepa-filter reduces particles and static electricity inside the cabinet while an echo eliminator all natural cotton sound padding reduces interior noise. See inside dimensions schematic for cabinet depths and equipment clearances.

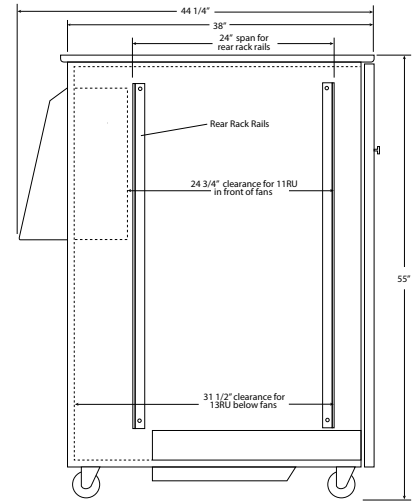
ISOBOX POST INTERIOR EQUIPMENT CLEARANCES



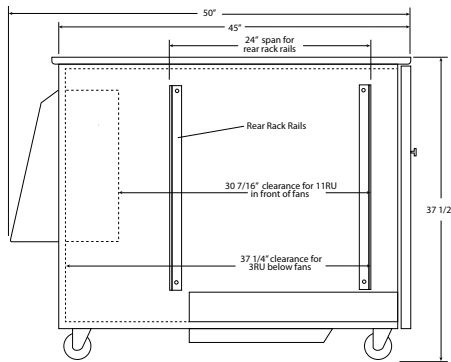
IsoBox Post 14x38



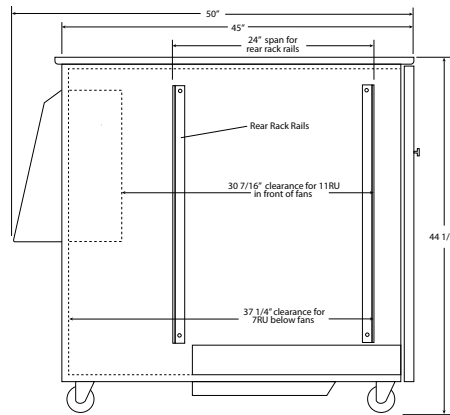
IsoBox Post 18x38



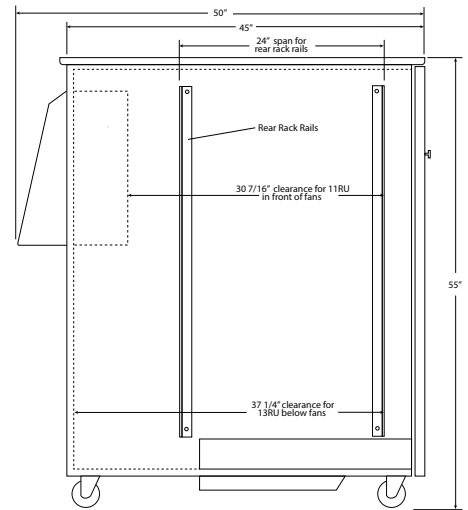
IsoBox Post 24x38



IsoBox Post 14x45



IsoBox Post 18x45



IsoBox Post 24x45



WOODGRAINS & FINISH COLORS

SCS uses real hardwoods which naturally vary in grain and color. Wood finishes are available in Black Stain, Cherry, Maple, White Oak, or Walnut trim. Custom finish colors are available upon request. Contact us to discuss custom finish options.



Black Stain



Black Texture



Cherry



Maple



Walnut



White Oak

ISOBOX NOISE REDUCTION SPECIFICATIONS

Source	Noise Reduction (Front at 1 Meter)	Noise Reduction (Back at 1 Meter)
Wide Noise Band	-19 dB	-16 dB
50 Hz	-14 dB	-12 dB
100 Hz	-15 dB	-13 dB
200 Hz	-15 dB	-13 dB
400 Hz	-19 dB	-16 dB
800 Hz	-21 dB	-17 dB
1.60 kHz	-27 dB	-21 dB
3.2 kHz	-29 dB	-20 dB
6.4 kHz	-28 dB	-21 dB
12.8 kHz	-25 dB	-22 dB



SOUND CONSTRUCTION & SUPPLY, INC.

Sound Construction & Supply Inc
 1328 Vashti Street
 Nashville TN 37203
 (888) 580-9188 Toll Free
 (615) 226-5150 Local
www.soundconstructionsupply.com
[sales@ soundconstructionsupply.com](mailto:sales@soundconstructionsupply.com)